

Kidde Engineered Fire Suppression System

Designed for use with 3M™ Novec™ 1230 Fire Protection Fluid

Pressure Trip Applications — Installation Detail

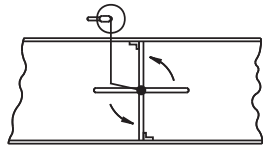


Effective: June 2015

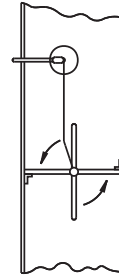
K-45-5201 Rev AC

FEATURES

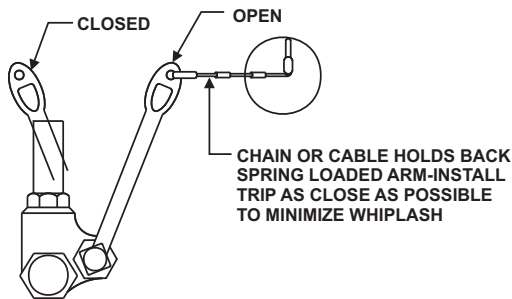
- *UL Listed, ULC Listed, and FM Approved for use with Novec 1230 Systems*



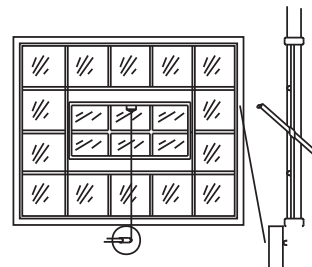
HORIZONTAL DUCT DAMPER



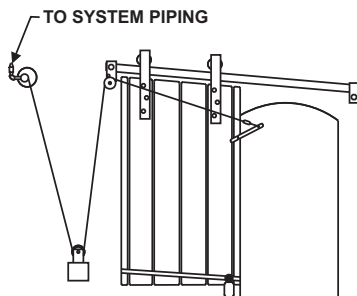
VERTICAL DUCT DAMPER



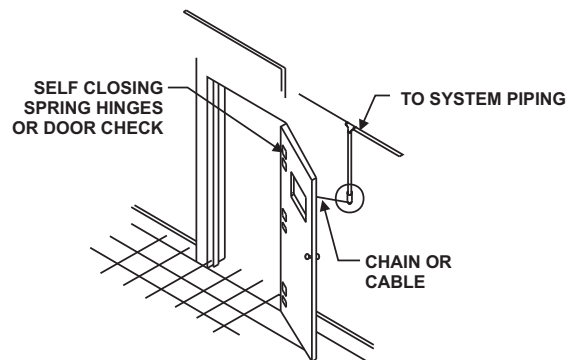
SPRING LOADED LIQUID OR GAS SHUTOFF VALVE



WINDOW-EITHER WEIGHTED OR OFF BALANCE



SLIDING DOOR



SWINGING DOOR-SELF CLOSING

Kidde is a registered trademark of Kidde-Fenwal, Inc.
3M and Novec are trademarks of 3M.
All other trademarks are property of their respective owners.

This literature is provided for informational purposes only. KIDDE-FENWAL, INC. assumes no responsibility for the product's suitability for a particular application. The product must be properly applied to work correctly. If you need more information on this product, or if you have a particular problem or question, contact KIDDE-FENWAL, Inc.